

PRODUCT INFORMATION PACKET

Model No: 048A11O1062

Catalog No: X203

0.50 HP Definite Purpose AC Motor, 1 phase, 1200 RPM, 208-230 V, 48Y Frame, OPAO
Other Purpose Motors





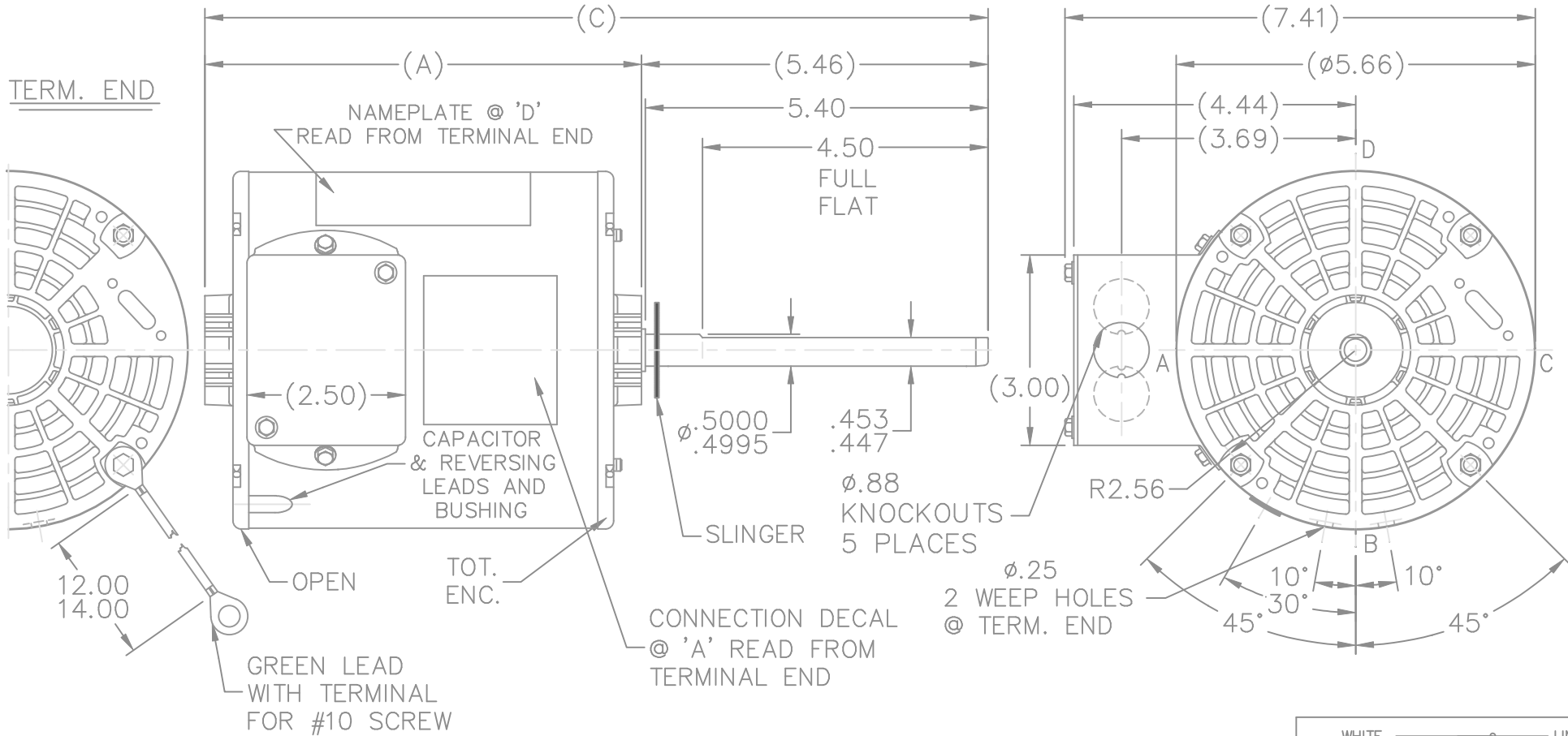
Nameplate Specifications

Output HP	0.50 Hp	Output KW	0.37 kW
Frequency	60 Hz	Voltage	208-230 V
Current	5.7-5.3 A	Speed	1075 rpm
Service Factor	1	Phase	1
Efficiency	64 %	Power Factor	70
Duty	Continuous	Insulation Class	B
Design Code	NO DESIGN CODE	KVA Code	F
Frame	48Y	Enclosure	Open Air Over
Thermal Protection	Automatic Lock Rotor Only	Ambient Temperature	40 °C
Drive End Bearing Size	6203	Opp Drive End Bearing Size	6203
UL	Recognized	CSA	Y
CE	N	IP Code	10

Technical Specifications

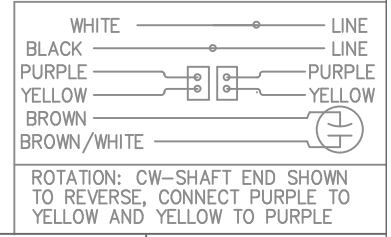
Electrical Type	Permanent Split Capacitor	Starting Method	Across The Line
Poles	6	Rotation	Selective Counterclockwise
Resistance Main	0 Ohms	Mounting	Round
Motor Orientation	Horizontal	Drive End Bearing	Ball
Opp Drive End Bearing	Ball	Frame Material	Rolled Steel
Shaft Type	Single Special Extension	Overall Length	12.84 in
Frame Length	6.00 in	Shaft Diameter	0.500 in
Shaft Extension	5.46 in	Assembly/Box Mounting	F1 ONLY
Outline Drawing	A-SS74713-600	Connection Drawing	6906496

This is an uncontrolled document once printed or downloaded and is subject to change without notice. Date Created:04/01/2021



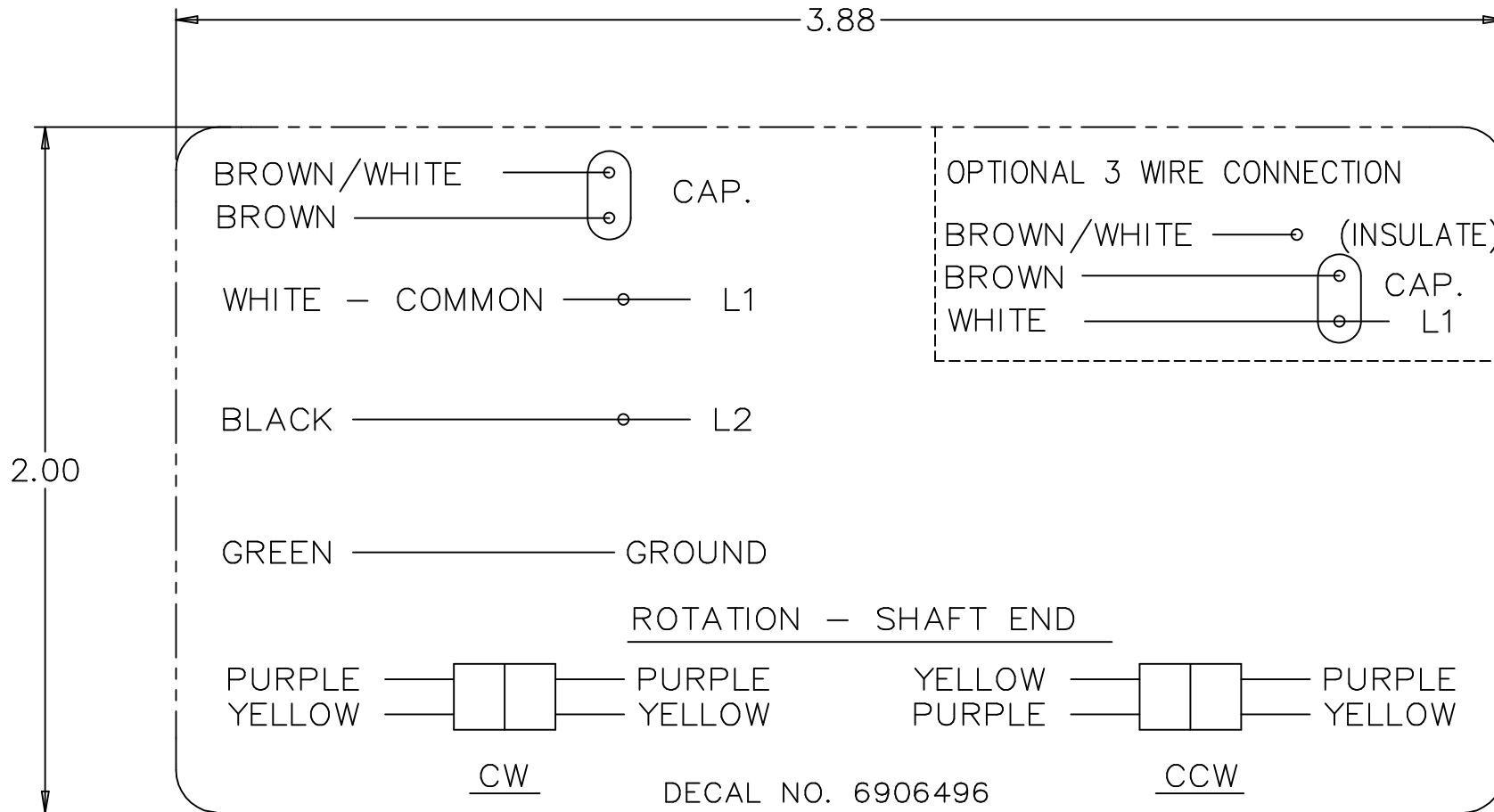
LEAD DESCRIPTION:

1 WHITE & 1 BLACK WITH .50 BARE WIRE STRIP 36"-39" LONG
 2 BROWN CAPACITOR LEADS W/.25 FLAG TYPE QUICK CONNECTS 36"-39" LONG. BROWN W/ WHITE MARK IS COMMON TO WHITE LEAD
 REVERSING LEADS ARE MOLDED INTO MATING PULL APART PLUG.
 ONE PURPLE AND ONE YELLOW PER PLUG, 4"-6" LONG



DASH	FR.	C	A
600	48	12.84	7.38

				TOLERANCES UNLESS SPECIFIED		MARATHON ELECTRIC	DRAWN BLR 03-27-1998					
				DEC.	INCHES		CHK	ML	03-31-1999	APPD	GK	03-31-1999
4	REDRAWN IN AUTOCAD	TAT	10-13-2004	ML	.X	±.1	TITLE OUTLINE 48 FR.	SCALE	13=32			
3	REVISED NAMEPLATE LOCTION, WAS AT 'C' AND CONNECTION DECAL WAS AT 'D' CN 23975-507	CAE	06-10-1999		.XX	±.03		MAT'L.	REF			
2	REDRAWN ON CADD	BLR	03-31-1999		.XXX	±.005	FINISH	FMF				
NO.	REVISION	BY & DATE	CHK	ANG	±.0005		PREV					
THIS DRAWING IN DESIGN AND DETAIL IS OUR PROPERTY AND MUST NOT BE USED EXCEPT IN CONNECTION WITH OUR WORK ALL RIGHTS OF DESIGN AND INVENTION ARE RESERVED THIS IS AN ELECTRONICALLY GENERATED DOCUMENT - DO NOT SCALE THIS PRINT				RFP	CAD FILE ss74713			SIZE	DRAWING NO.	PAGE	OF	REV.
				DIST	WP			A	SS74713			4

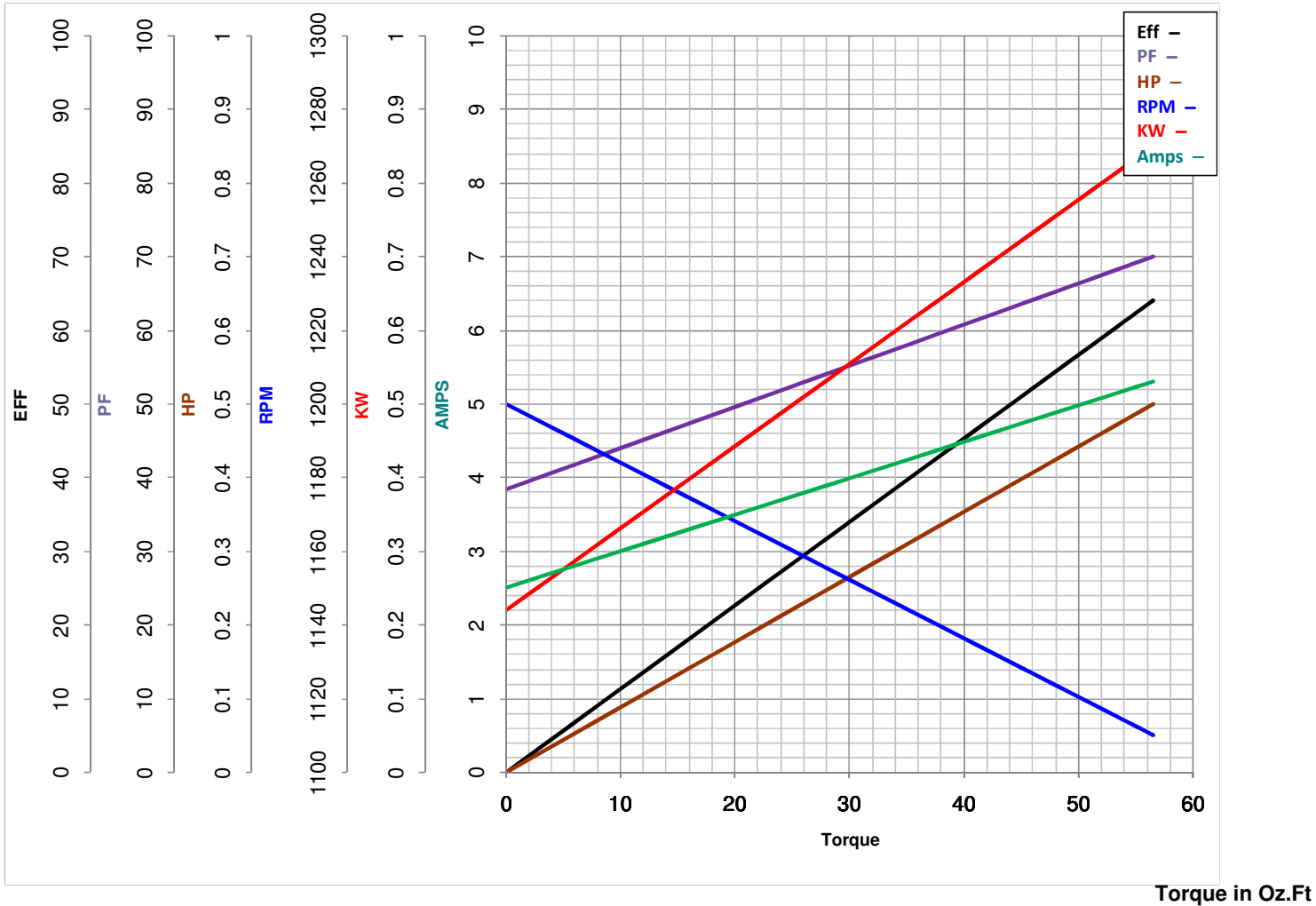


NO.	REVISION	BY & DATE	CHK	TOLERANCES UNLESS SPECIFIED		FINISH	DRAWN MRB 04-16-1998		
				DEC.	INCHES				
4	ADDED DIM. TO DECAL	RDH 09/22/2003	ML	.X	±.1	REGAL-BELOIT <i>Motor Technologies</i>	CHK ML 04-22-1998		
3	REMOVED 'MARATHON ELECTRIC' CN 35106	DRS 05-01-2002	TOM	.XX	±.02		TITLE CONNECTION DECAL	APPD GK 04-22-1998	
2	PART NAME WAS CONNECTION DIAGRAM CN 25669	MRB 04-23-1998		.XXX	±.005			SCALE 1=1	
1	NEW DRAWING CN 25669	MRB 04-22-1998		.XXXX	±.0005	MAT'L.	REF		
				ANG	±7'30"		FMF		
				RFP		CAD FILE 6906496	PREV		
				DIST	WP	SIZE A	DRAWING NO. 6906496	PAGE OF	REV. 4



MARATHON ELECTRIC CORPORATION
TYPICAL PERFORMANCE CURVE for AC MOTOR

Customer _____ Curve at 230 Volts HP 0.50 PHASE 1
60 HZ
 Model No 48A11O1062 0.5 HP VOLTS 208-230
 Catalog No X203 HZ 60 RPM 1075



FL TORQUE	<u>56.5</u>	Oz.Ft	FL AMPS	<u>5.7-5.3</u>	
BD TORQUE	<u>81.1</u>	Oz.Ft	PU TORQUE	<u>12.7</u>	Oz.Ft
LR TORQUE	<u>12.9</u>	Oz.Ft	LR AMPS	<u>12.1</u>	
WINDING	PE486520-2		Date	1/2/2019	